

65W SLIM CANOPY LIGHT



- *Our 65 W slim canopy light is a highly luminous product with a long working life*
- *High efficiency LED Driver, wide range input voltage AC120-277V*
- *Cast aluminum cooling design, high quality and better cooling for LED ($T_j < 85^{\circ}\text{C}$)*
- *Excellent Optic design, greatly improves light utilization and evenness*
- *Motion Sensor Available (Option)*

PRODUCT APPLICATIONS

The 65 W slim canopy lighting series is a versatile product that can be used in a variety of ways such as for indoor/ outdoor lighting, parking garages, workshops, warehouses, steel mills, gas stations, toll booths, waiting rooms, railway stations, stadiums and more!

PRODUCT SPECIFICATIONS

Type: 65W Slim Canopy Light

Rated watts: 65W

Rated lumens: 8200 Lm

Kelvin options: 3000-6500K

Housing: Cast Aluminum

Life span: 50,000 hours

Dimensions: 10.5 x 10.5 x 3.3 inches

Weight: 8lbs

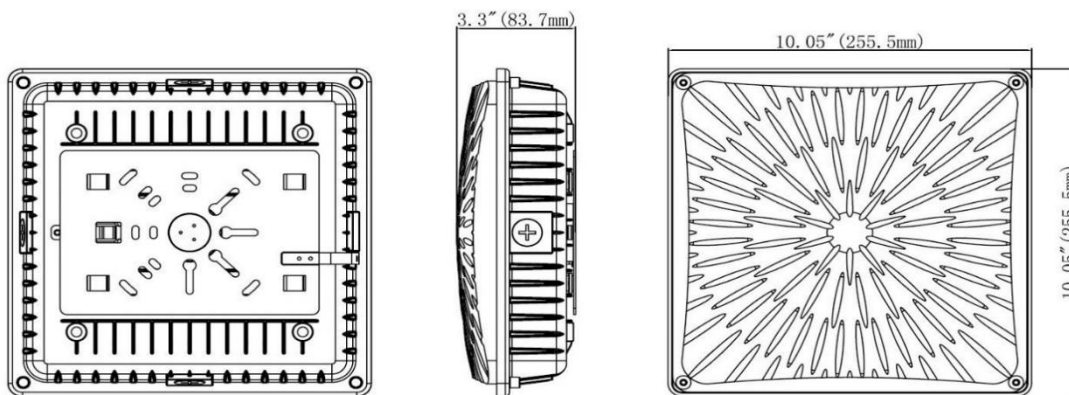
Voltage: AC100-277V, Upgrade Option: 347-480V

Beam angle: 160 degrees

Finish: Dark bronze/ white

Color index/(CRI): >75

IP rating: IP65

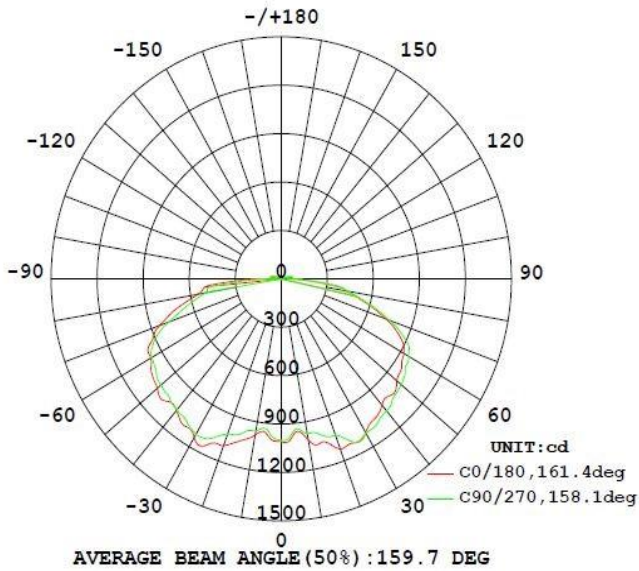


TECHNICAL PARAMETERS

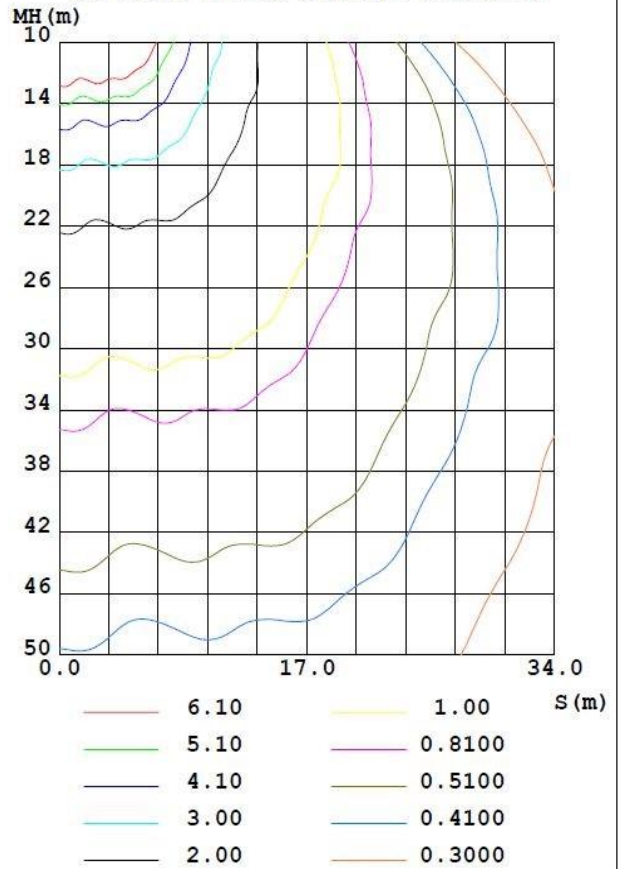
Type	
Power	65W
Input Voltage	AC120-277V
PF	>0.95
Driver Efficiency	>90%
Luminous Flux	8200 Lm
Color Temperature	3000K/4000K/5000K/5700K
CRI	Ra>80
Lighting Angle	150°
LED Brightness Decay	<5%/6000 hrs
Working Life	>50000 hrs
Working Temperature	-30 - +45°C
Storage Temperature	-40 -+80°C
Protection Level	Wet Location/IP65
Cable	Input Connect, No cable

LIGHT DISTRIBUTION CURVE

LUMINOUS INTENSITY DISTRIBUTION DIAGRAM



C0 PLANE ISOLUX DIAGRAM (UNIT:lx)



The Brighter Choice