

27W LED COMMERCIAL DOWNLIGHT (10")



- This product has a PC driver housing, aluminum reflector and fire-proof junction box
- The light is built with the highest quality drivers and compared to halogen lamps, these save 50% more energy
- Our 27W Downlight is 0-10V dimmable and the MC cables and junction box allows for flexibility during the installation process

PRODUCT APPLICATIONS

This LED Commercial Grade Downlight is perfect for Garages, Schools/Campuses, Hospitals, Aisle ways, Hotels and even Indoor areas, plus many more applications.

PRODUCT SPECIFICATIONS

TYPE: 27W LED Commercial Downlight (10")

PRODUCT CODE: CDN10-27-5K

COLOR TEMPERATURE: 5000 Kelvin

INPUT WATTS: 27 Watts

LUMENS: 2,390 LM

INPUT VOLTAGE: AC 120/277V

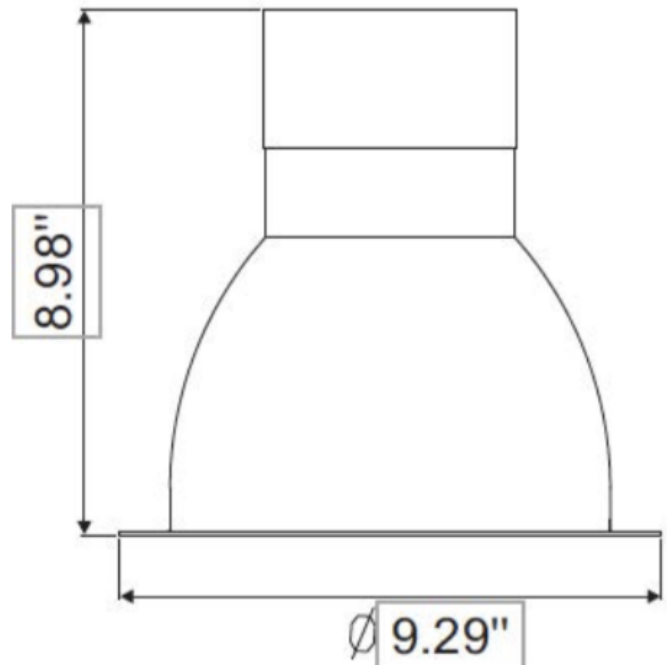
LIGHTING ANGLE: 120°

WORKING TEMPERATURE: -4°F – 113°F

IP RATING: IP42

WARRANTY: 5 Years

DIMENSIONS: 10" in diameter, 9" Tall



PHOTOMETRIC DATA

