

150W LED SHOEBOX LIGHT



- This 150W Solar LED parking lot and street light is bright, energy efficient and easy to install
- A great optical design that will improve light utilization as well as evenness. A cast aluminum design for better cooling and easy replacement.
- This light comes with the option to include photocell

PRODUCT APPLICATIONS

This self-contained solar led fixture is perfect for lighting up Urban roads, Industrial Areas, Residential Areas, Sidewalks, Parking Lots, Schools, Gardens and much more!

PRODUCT SPECIFICATIONS

TYPE: 150W Shoebox Light

PRODUCT CODE: CSBX150

INPUT VOLTAGE: AC120-277V or AC120-277V/480

LUMENIOUS FLUX: 18670LM

COLOR TEMPERATURES: 3000K/4000K/5000K/5700K

WORKING LIFE: >50000 hrs.

MATERIALS: Aluminum & PC

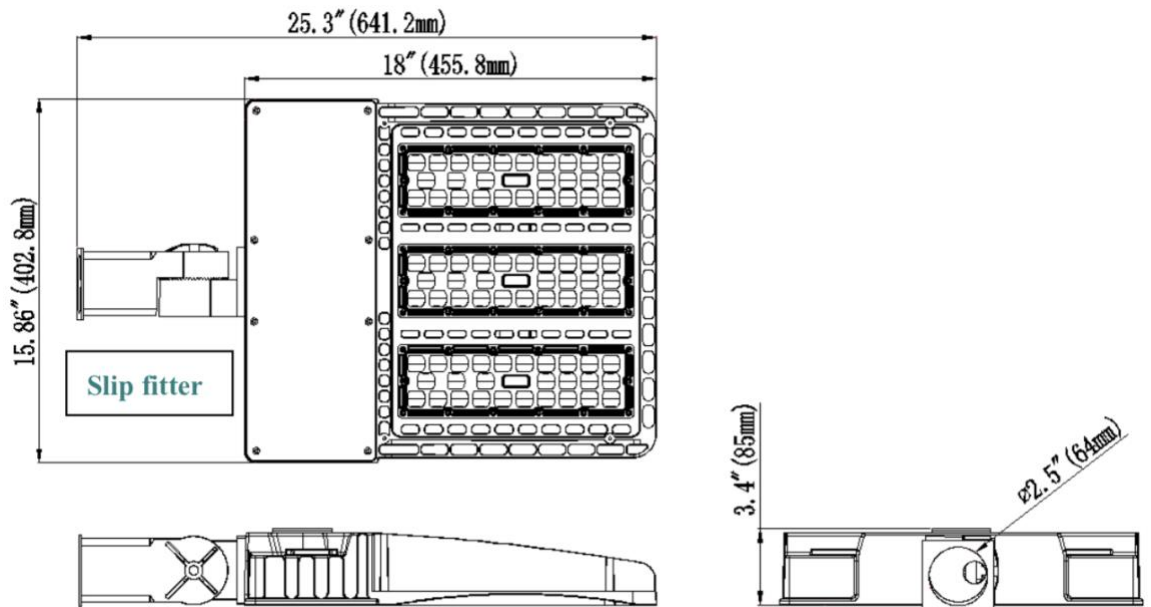
FINISH: Dark Bronze or White

WORKING TEMPERATURE: -22°F – 113°F

IP RATING: IP65

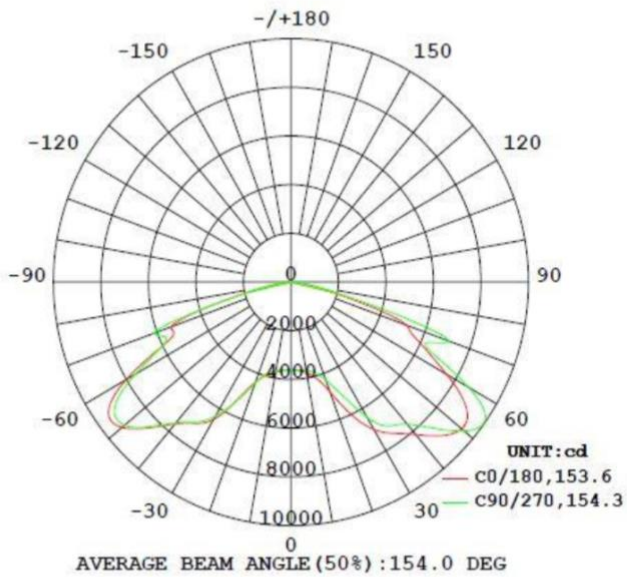
WEIGHT: 14 lbs.

WARRANTY: 5 Years

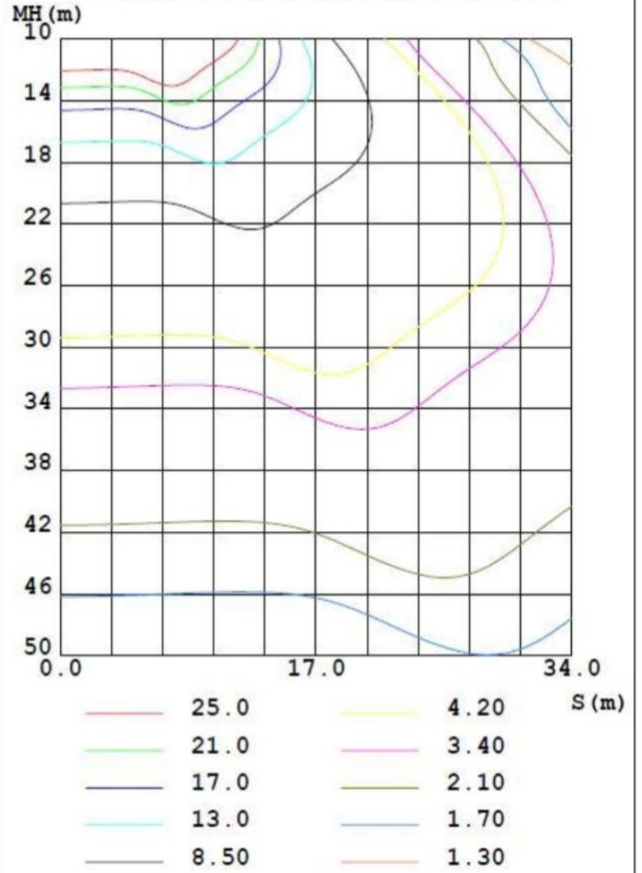


PHOTOMETRIC DATA

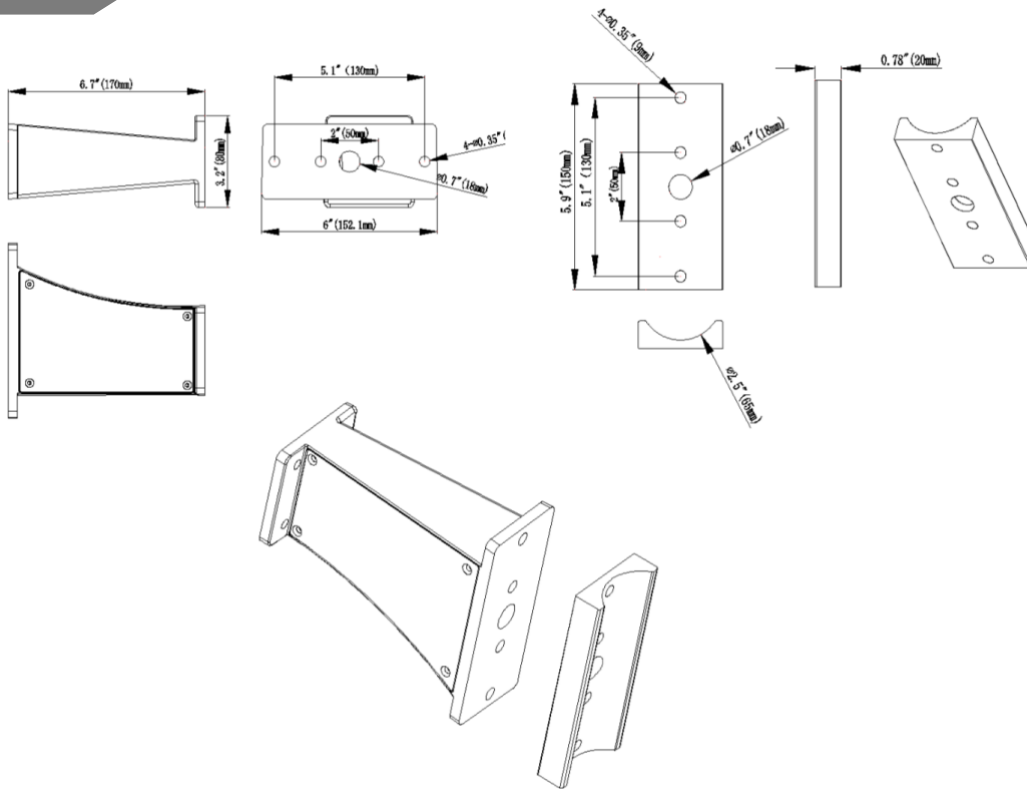
LUMINOUS INTENSITY DISTRIBUTION DIAGRAM



C0 PLANE ISOLUX DIAGRAM (UNIT: lx)



ARM MOUNT



TRUNNION MOUNT

