

## 300W LED SHOEBOX LIGHT



- This 300W Solar LED parking lot and street light is bright, energy efficient and easy to install
- A great optical design that will improve light utilization as well as evenness. A cast aluminum design for better cooling and easy replacement.
- This light comes with the option to include photocell

## PRODUCT APPLICATIONS

This self-contained solar led fixture is perfect for lighting up Urban roads, Industrial Areas, Residential Areas, Sidewalks, Parking Lots, Schools, Gardens and much more!

## PRODUCT SPECIFICATIONS

**TYPE:** 300W Shoebox Light

**PRODUCT CODE:** CSBX300

**INPUT VOLTAGE:** AC120-277V/480

**LUMENIOUS FLUX:** 33600LM

**COLOR TEMPERATURES:** 3000K/4000K/5000K/5700K

**WORKING LIFE:** >50000 hrs.

**MATERIALS:** Aluminum & PC

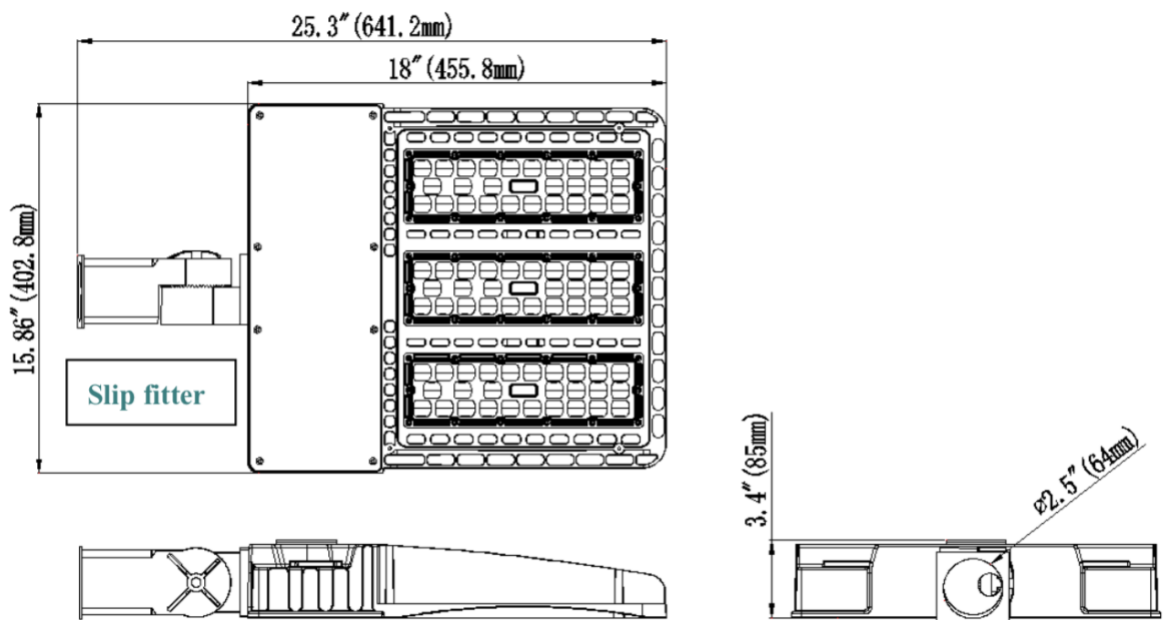
**FINISH:** Dark Bronze or White

**WORKING TEMPERATURE:** -22°F – 113°F

**IP RATING:** IP65

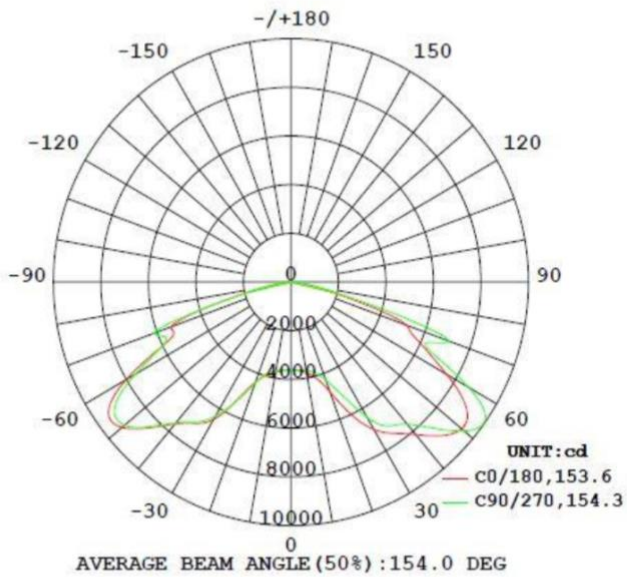
**WEIGHT:** 26 lbs.

**WARRANTY:** 5 Years

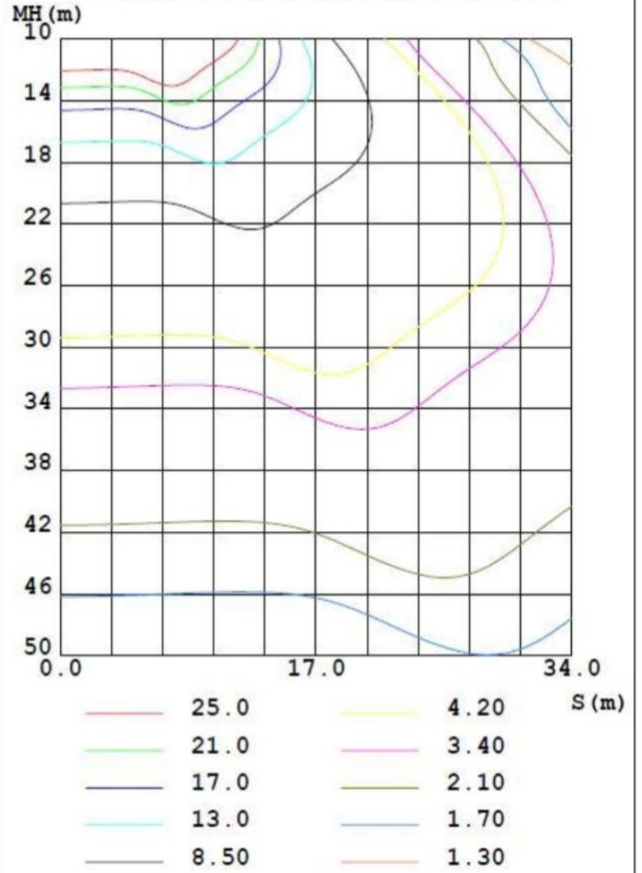


# PHOTOMETRIC DATA

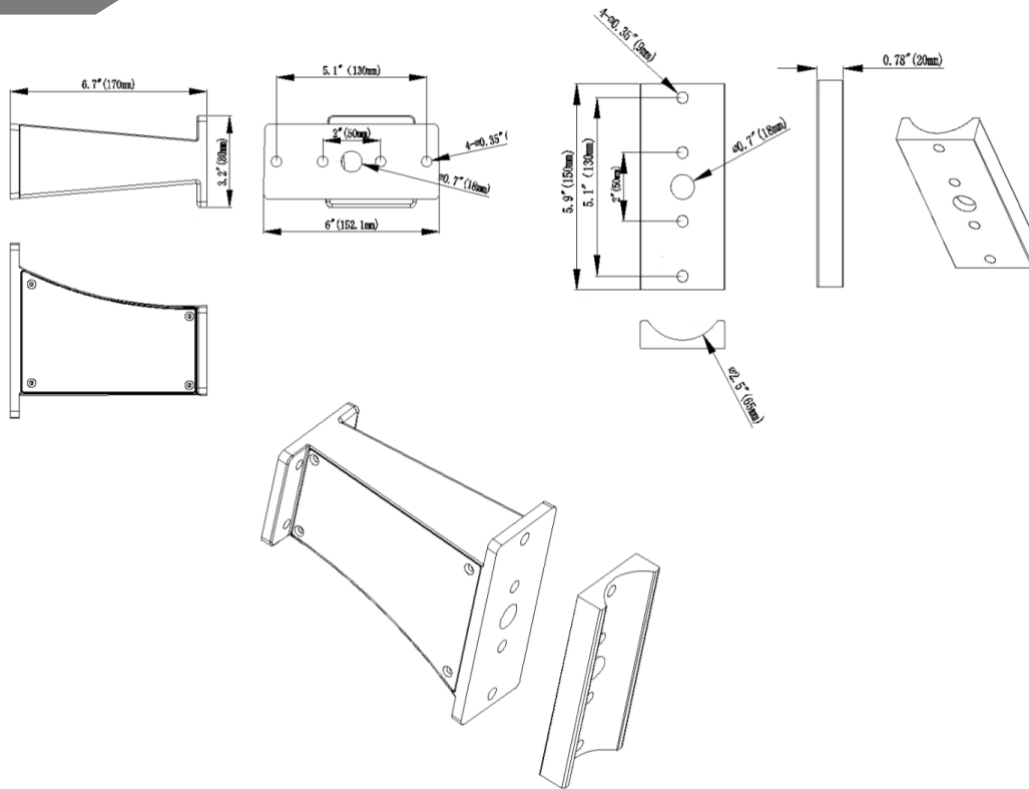
LUMINOUS INTENSITY DISTRIBUTION DIAGRAM



C0 PLANE ISOLUX DIAGRAM (UNIT: lx)



## ARM MOUNT



## TRUNNION MOUNT

