



## ADJUSTABLE WATTAGE AC POLE TOP AREA LIGHT WITH ADJUSTABLE KELVIN

- This 3-in-1 Post Top Area Light is a very luminous product that will provide excellent light wherever it is installed
- Delivers bright lighting at half the energy compared to traditional incandescent light products
- With its LED lights and straight forward design this product is easy to use, simple to install and highly efficient

## PRODUCT APPLICATIONS

This 3-in-1 LED Post Top Area Light is an energy saving luminous product that is ideal for parking lots, sports parks, pathways, retail settings and more!

## PRODUCT SPECIFICATIONS

**TYPE:** Adjustable Wattage AC Powered Pole Top Area Light with Adjustable Kelvin

**PRODUCT CODE:** CSTV03075-UK-UB-PC-M

**COLOR TEMPERATURE:** Adjustable 3000k / 4100K / 5000K CCT (Kelvin)

**LUMINOUS FLUX:**

- 30W: 3900lm
- 50W: 6500lm
- 75W: 9750lm

**WATTAGE:** 30W / 50W / 75W Adjustable All-in-one Wattage

**VOLTAGE:** 110/277V

**LIFESPAN:** 50,000 hours at 77° F

**BEAM ANGLE:** 120°

**HOUSING:** Black Fixture

**COVER:** Frosted cover

**BASE MOUNT:** 2.4" to 3" (Universal)

**PHOTOCELL:** Included

**IP:** 67

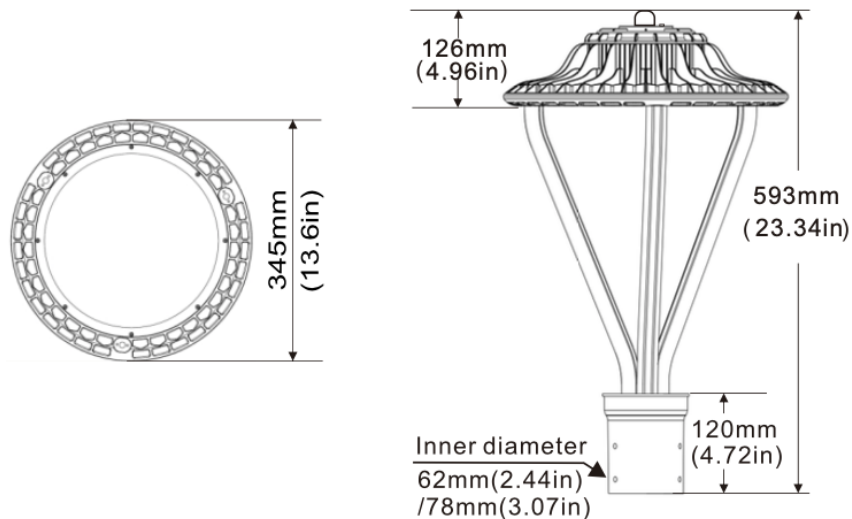
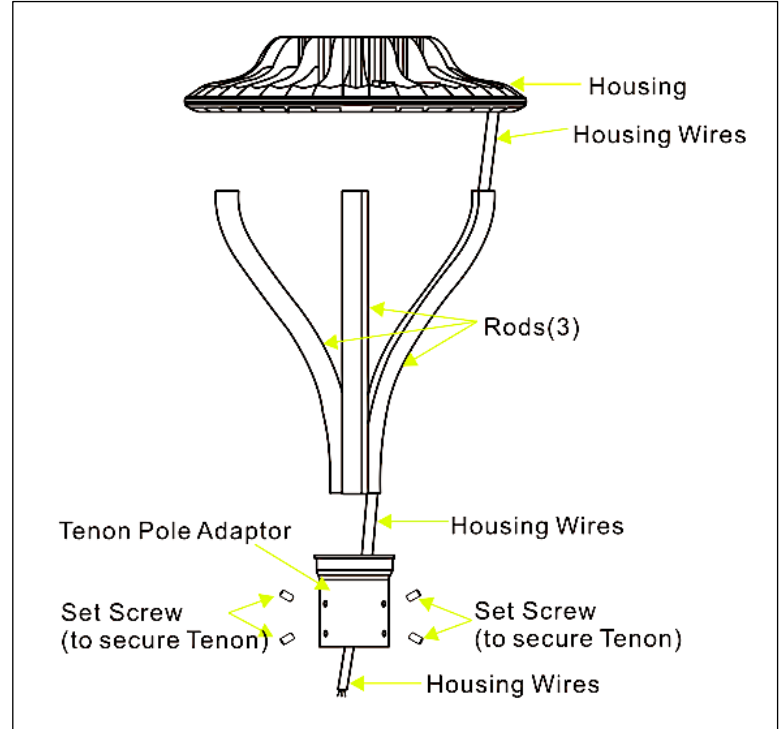
**WARRANTY:** 3 Years



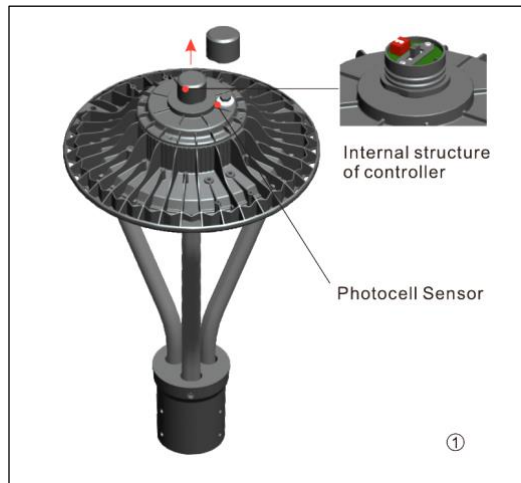
# INSTALL INSTRUCTIONS

## FIXTURE ASSEMBLY:

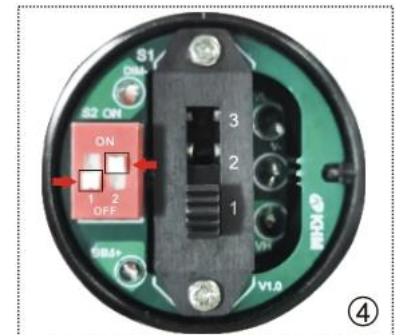
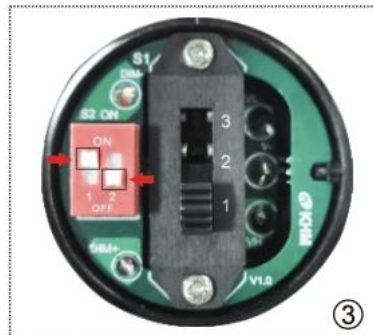
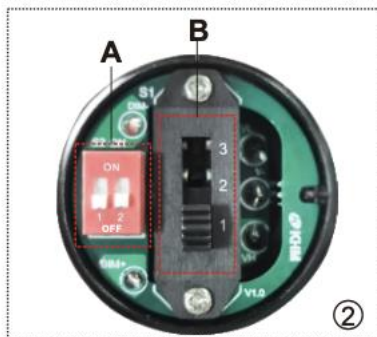
1. Feed the (3) Housing Wires through one of the three rods.
2. Clip the (3) Rods onto the Housing. Be sure the Housing clips are properly engaged onto the Rods.
3. Feed Fixture Wires through the Tenon Pole Adaptor.
4. Slide Tenon Pole Adaptor on three Rods. Be sure the notches face the inside of the Tenon Pole Adaptor.
5. Tighten the (3) Set Screws at the Tenon Pole Adaptor to secure Rods.



## CONTROLLER ADJUSTMENTS



**MODES:** To adjust the power and color temperature, the controller cover on the top of the light must be removed to access the controls.



### ADJUSTING POWER (ZONE A):

1. Light comes set at 75W
2. To adjust to 50W: Pull A1 to ON, A2 to OFF
3. To adjust to 30W: Pull A1 to OFF, A2 to ON

### ADJUSTING COLOR TEMPERATURE (ZONE B):

1. 3 Gears for adjusting - B3=3000K, B2=4000K, B1=5000K
2. The factory default is set to 5000K (B1)
3. When adjusting color temperature, pull the lever to the corresponding position

### PHOTOCELL SENSOR:

1. To use the photocell, simply remove the photocell sensor cover (see image 1 to locate)

# LUMINOUS INTENSITY

