

## 50W SOLAR POWERED LED WALKWAY LIGHT



- Our 50W Solar Powered LED Walkway Light is a wonderful area light that provides ample light for pathways, residential streets and more!
- Replaces 100W metal Halide light bulbs/ fixtures
- Aluminum die-casting material is great for heat dissipation
- Capable of 2 lighting options to suit individual customer needs!

## PRODUCT APPLICATIONS

The 50W Solar Walkway Light is a bright and energy efficient light that will brighten up any area it is placed. LEDs are placed specifically to control lighting area (dispersion trajectory).

## PRODUCT SPECIFICATIONS

**TYPE:** 50W Solar Powered LED Walkway Light

**PRODUCT CODE:** SLBB-S50W

**WATTS:** 50W

**BEAM ANGLE:** 120 Degrees

**SOLAR PANEL:** 18V / 60W

**LUMINOUS FLUX:** 7500-8000lm

**MATERIAL:** Aluminum die-cast housing

**MOUNTING HEIGHT:** 26-29 Feet

**DISCHARGE TIME:** More than 10-12 Hours

**CHARGE TIME:** 6-7 Hours

**SOLAR CELL:** High efficiency imported silicon solar cell

**LED:** USA Bridgelux SMD 3528 LED

**OPERATION TEMPERATURE:** -40° to 115° F

**LIFESPAN:** 50,000 Hours

**IP:** 65 (Waterproof)

**WARRANTY:** 3 Years

### WORKING MODES:

- **Option 1:** Turns on at full brightness at dusk for 4 hours, then goes down to 30% for the rest of the night

OR

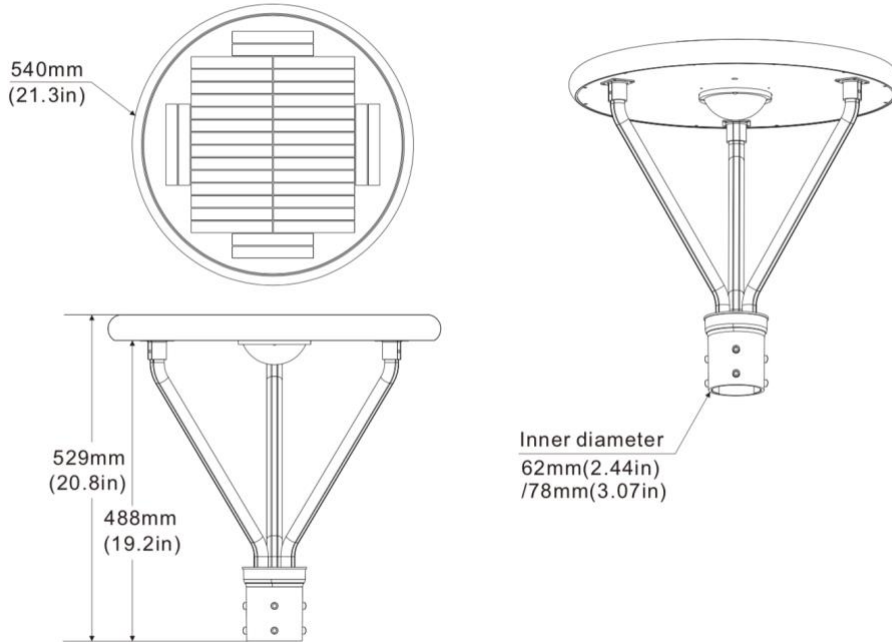
- **Option 2\*:**
  1. When dark, light will turn on for 4 hours
  2. Then, works for 6 hours at 30% capacity
  3. Then 70% until sunrise

**\*If interested in option 2, please let LED Lighting-Solutions salesperson know upon ordering**



\*In-field application example

## DIMENSIONAL DRAWING



## LUMINOUS INTENSITY DISTRIBUTION

